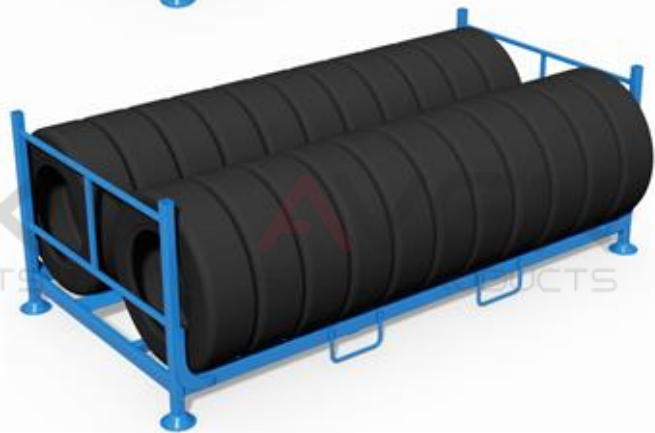
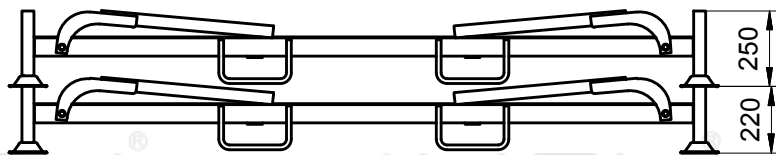
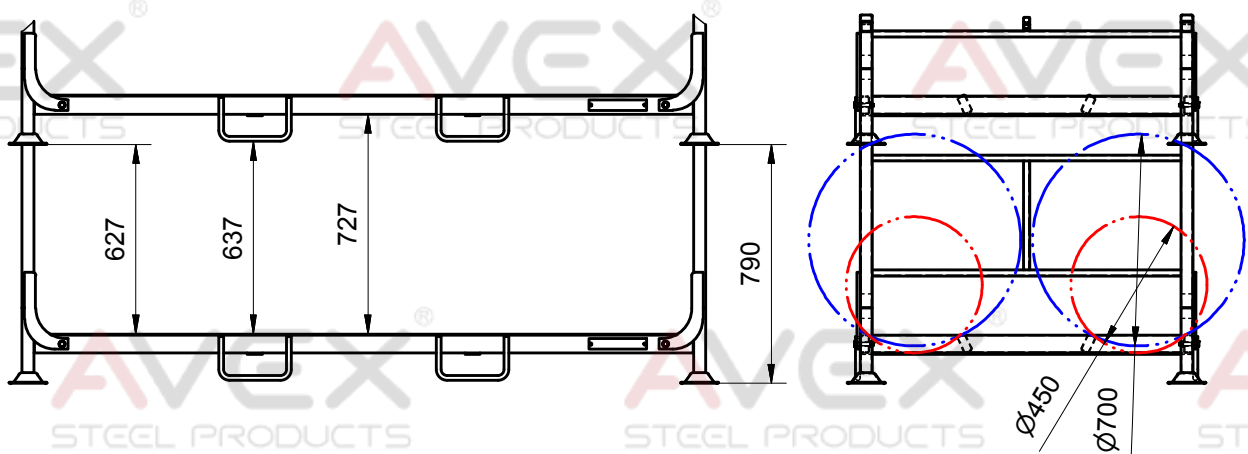
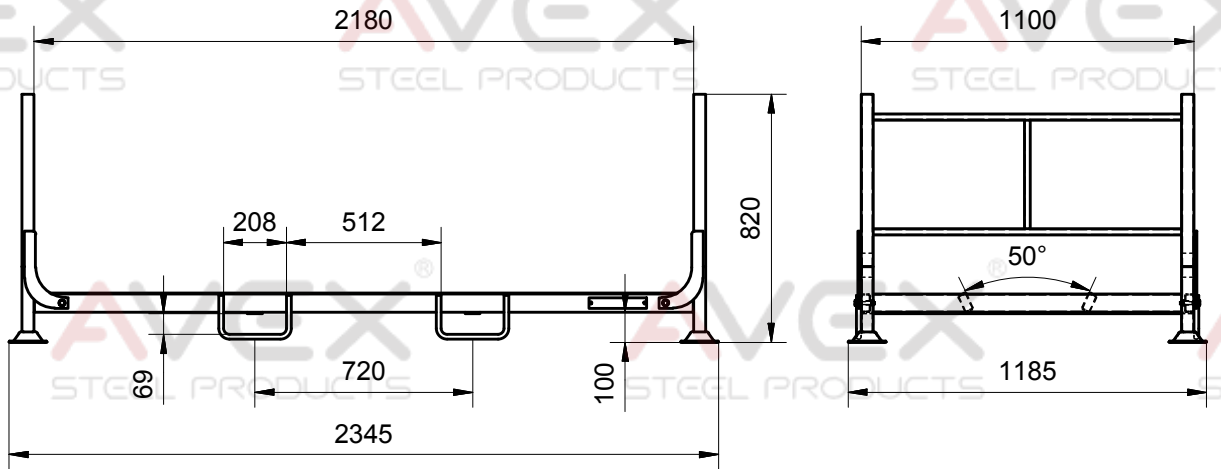


AT 139 (PSR) / FOR VERTICAL TYRE STORAGE

Outside dimensions	2345 x 1185 x 820 mm
Max. load capacity	350 kg
Stackability (rack with tyres)	10
Stackability (collapsible)	20
Pallet handling (rack with tyres)	1
Surface treatment	powder coating



This drawing is property of Avex Steel Products s.r.o. The copying, distribution and utilization of this document as well as the communication of its contents to others without expressed authorization is prohibited. Offenders will be held liable for the payment of damages.

