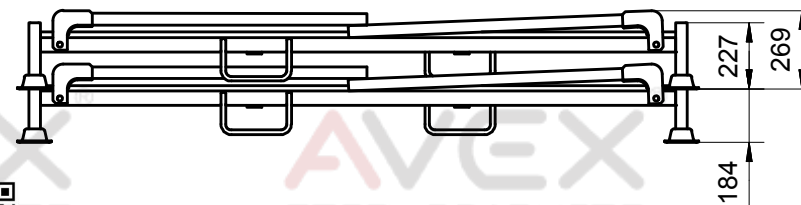
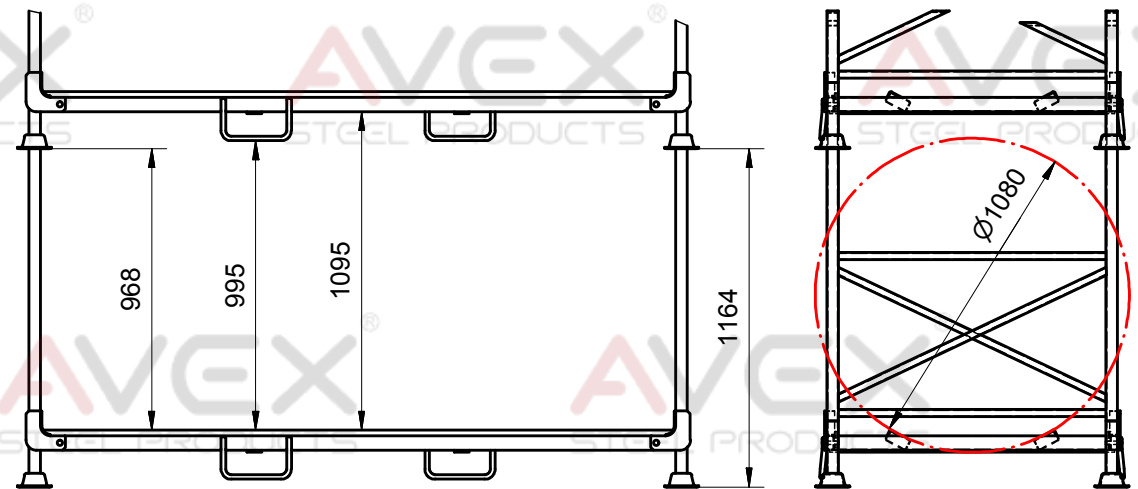
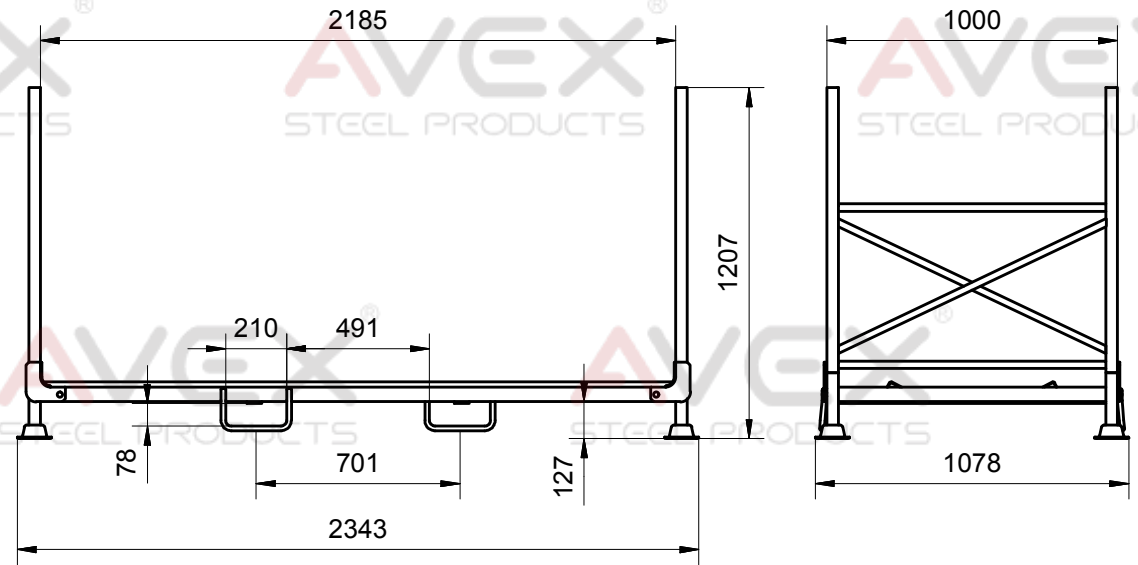


AT 005 / FOR VERTICAL TYRE STORAGE

Outside dimensions	2343 x 1078 x 1207 mm
Max. load capacity	550 kg
Stackability (rack with tyres)	7
Stackability (collapsible)	32
Surface treatment	powder paint



This drawing is property of Avex Steel Products s.r.o. The copying, distribution and utilization of this document as well as the communication of its contents to others without expressed authorization is prohibited. Offenders will be held liable for the payment of damages.

