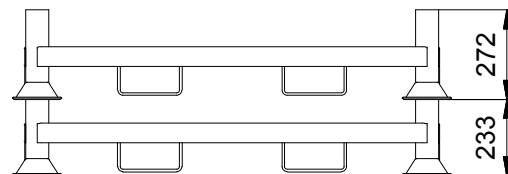
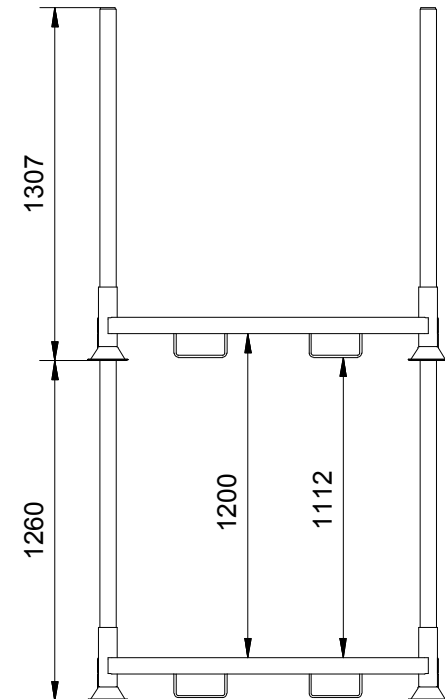
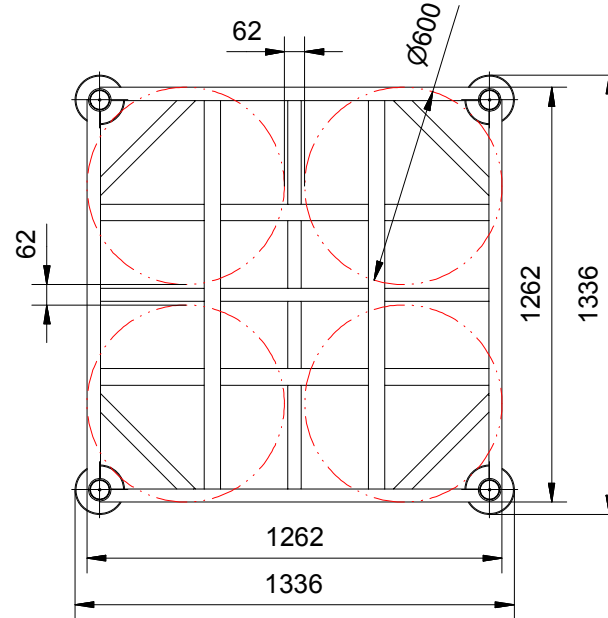
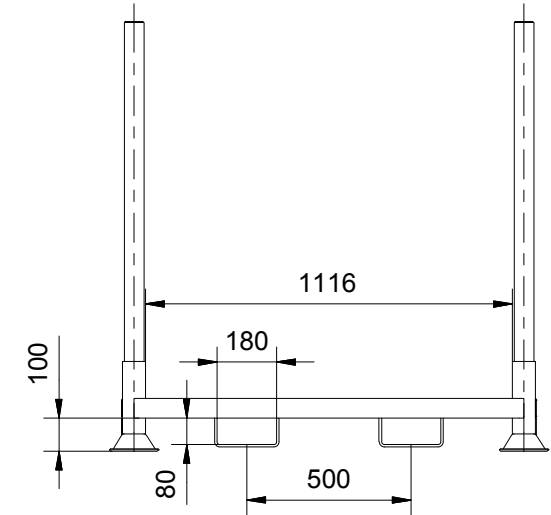
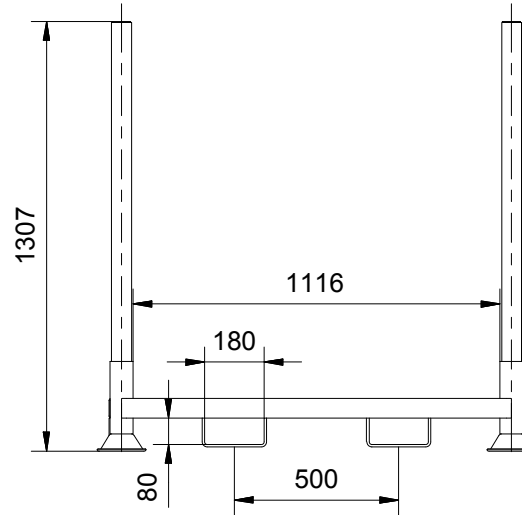
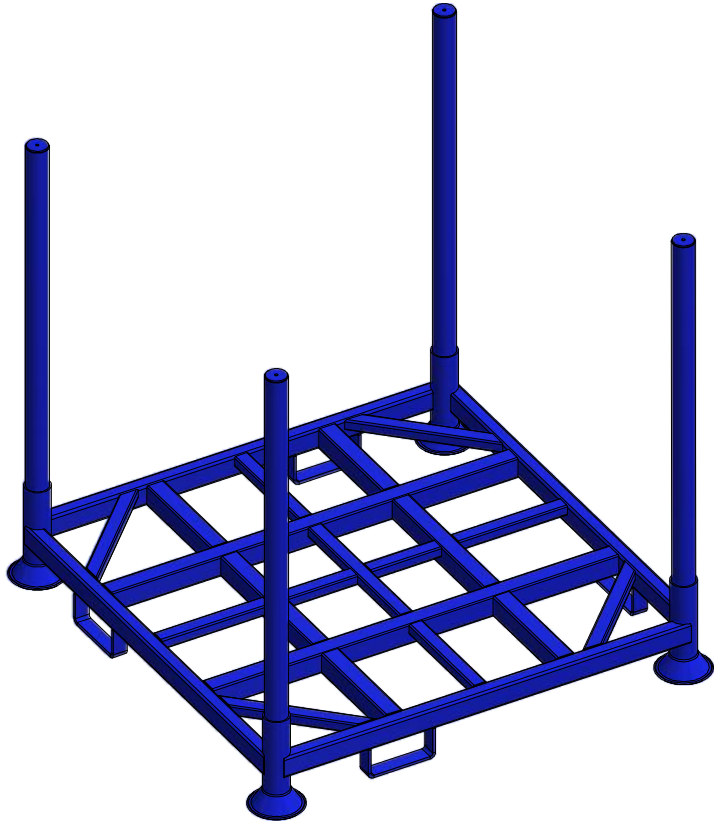


PALLET ASP 001M00 / FOR SEMI-FINISHED PRODUCTS

Outside dimensions	1336 x 1336 x 1307 mm
Max. load capacity	1500 kg
Stackability (rack with tyres)	4
Stackability (collapsible)	20
Surface treatment	powder coating
Additional equipment	



tř. Tomáše Bati 1656, 765 02 Otrokovice
Czech Republic | Europe

tel: +420 577 116 311 e-mail: trade@avex.cz
fax: +420 577 116 317 skype: avex.business

This drawing is property of Avex Steel Products s.r.o. The copying, distribution and utilization of this document as well as the communication of its contents to others without expressed authorization is prohibited. Offenders will be held liable for the payment of damages.