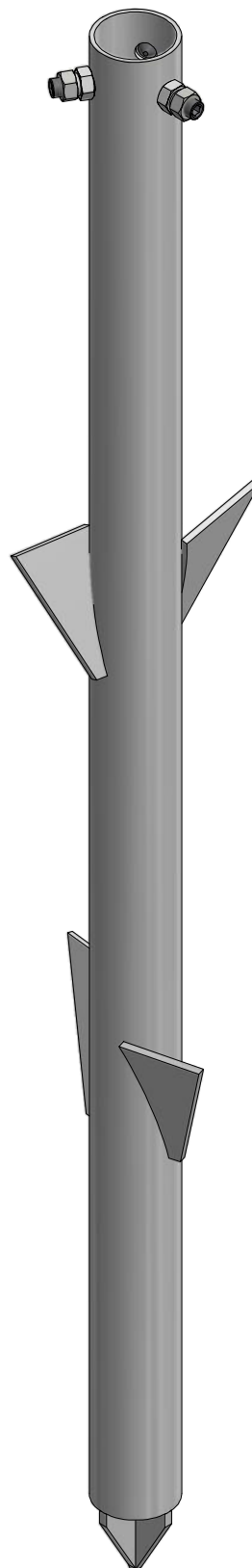
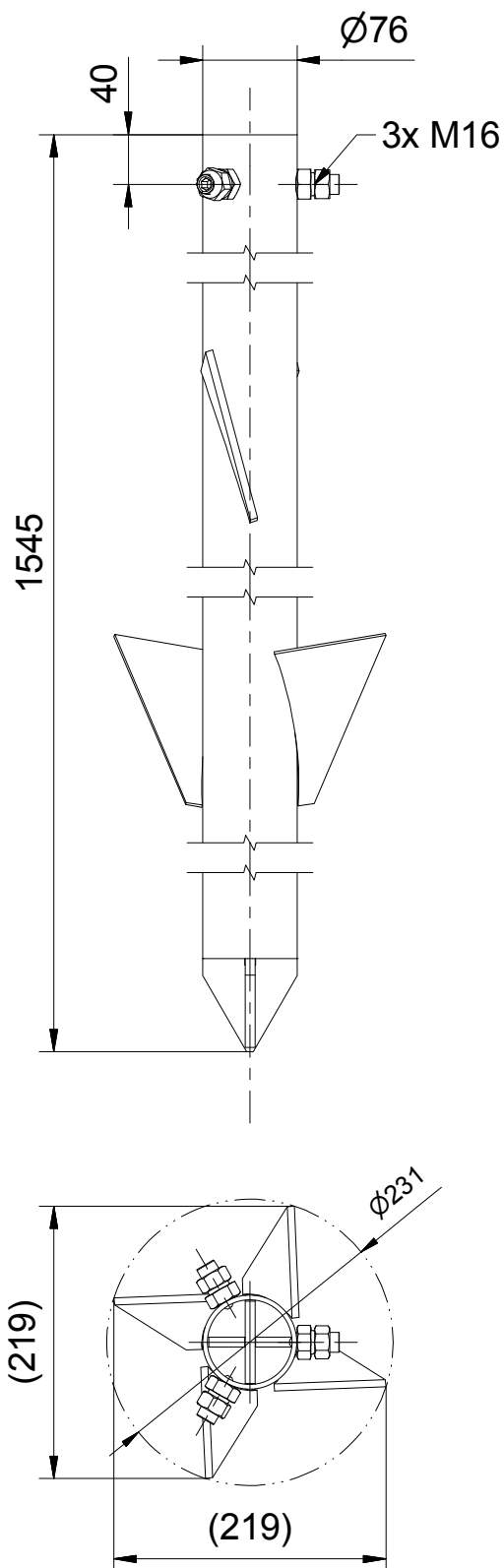


EARTH SCREW AT 80684

/ FOR SOLAR MOUNTING

Outer diameter / lenght	76 mm / 1545 mm
Diameter of spiral	231 mm
Thickness of pipe	4 mm
Fasten method	3 pcs of nut M16
Surface treatment	hot-dip galvanized



This drawing is property of Avex Steel Products s.r.o. The copying, distribution and utilization of this document as well as the communication of its contents to others without expressed authorization is prohibited. Offenders will be held liable for the payment of damages.